



Delta MVD3000 Series

Medium Voltage Drive



www.deltaww.com/mvd





Contents

| | |
|------------------------------------|----|
| Delta Group | 1 |
| Delta MVD3000 Series | 2 |
| Major Application | 3 |
| Major Advanced Features & Benefits | 4 |
| System Structure | 5 |
| Spec. & Parameters | 7 |
| Compliance & Standards | 8 |
| Product Selection | 9 |
| Installation Diagram | 10 |
| MVD Cooling Proposal | 11 |
| Reliability & Certificate | 12 |
| System Model Names | 13 |
| Global Sales & Services | 13 |

Delta Group

As the world Top 1 switching power supply and energy management solution supplier, Delta Group is also the leading manufacturer in multiple product fields in the world. Delta supplies products including power supply management package solutions, video displays, industrial automation, network communication products, and recycle-energy products.

Delta Group has established business operation branches all over the world, as well as manufacturing plants in Taiwan, China Mainland, Thailand, Mexico, Japan, India, Brazil, and Europe.

As the leading supplier in electrical and electronic industries in the world, Delta Group has defined its operation mission as “Environmental Protection, Energy Saving, and Earth Caring”, and made long-lasting efforts on executing green environmental protections. Delta implemented a green manufacturing process free of lead many years ago, as well as recycling measures and waste retreatment plans.

In the past 40 years, Delta Group insisted on the operation mission of “Environmental protection, Energy Saving, and Caring for the Earth”, pursued continuous innovation, which led to its leading role in many product fields, and being listed in the TOP 50 among Asian Excellent Enterprises sponsored by Forbes.

Delta Group aims to realize environmental protection by establishing and promoting green buildings, and implementing green manufacturing processes, source recycling, and wastes retreatment plans; Delta was elected as the only Chinese enterprise listed in the Global Top 100 Low-Carbon Enterprise sponsored by CNBC. In 2010, Delta was recognized by the Anyong Award of Annual Entrepreneur, Social Responsibility Award and Award of Best Chinese Business Leader by CNBC.

More information refers to the website: www.deltaww.com



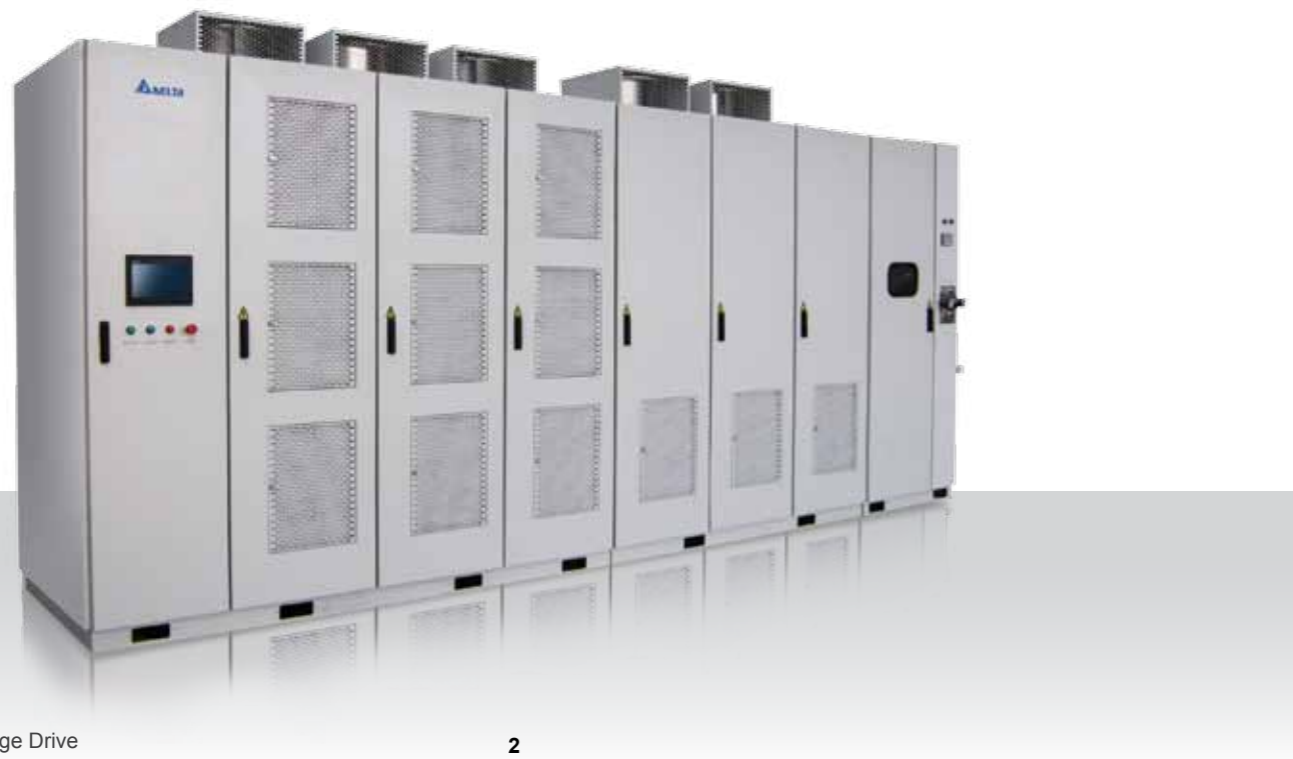
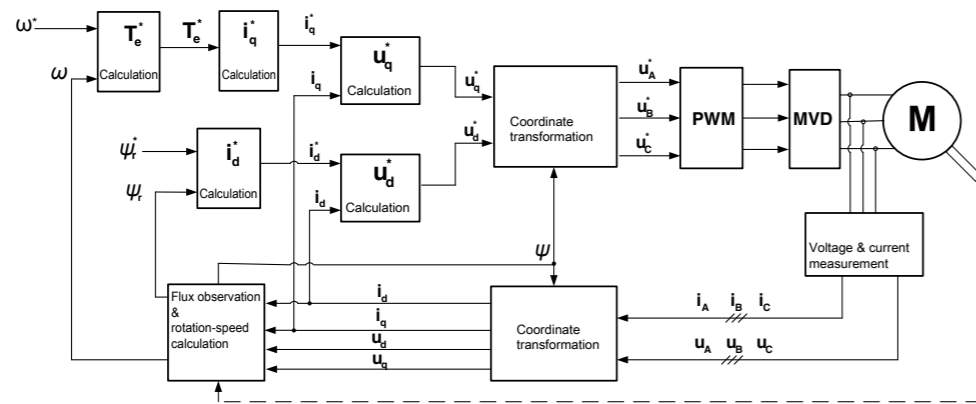
Delta MVD3000 Series

Having adopted the leading technologies of vector control and energy feedback, the MVD3000 Series variable-frequency speed regulating system is a high-performance product with accurate speed adjustment and four-quadrant operation ability, which makes it highly reliable, user-friendly with its operating interface, diverse in communication means, complete in safety assurance system, as well as easy to maintain.

With an SVM full-control rectifier, the MVD3000 power cell achieved low harmonic pollution, implemented bi-directional flow for high-power factors and energy, and is high-performing, highly efficient, and highly stable.

By decoupling control of the motor flux and torque, the high-performance vector control technology used by the MVD3000 receives fast dynamic response for torque and features the ability to output high torque during motor startup and idle running speed. It achieves a more stable motor operation and more accurate speed control, which satisfies applications with higher speed adjustment.

The MVD3000 supports vector control with and without speed sensors. Users can decide whether to install a speed sensor according to the applications on-site. Without a speed sensor, it can still provide fast dynamic response and greater output torque under low speed.



Major Application

Cement & Mining

Hoists, conveyors, crushers, mills, fans, water pumps, etc.

Oil & Gas

Oil pumps, compressors, blowers, water injection pumps, induced draft fan, etc.

Paper making

Fans, vacuum pumps, cutting machine, refining machine, etc.

Metallurgy

Fans, pumps, conveyors, etc.

Power generation

Fans, pumps, conveyors, coal mills, etc.

Municipal works

Water supply pumps, sewage pumps, heat network pumps, etc.



Advanced Features & Benefits

Advanced Technologies

- Adopts SVM full-control rectifier technology with a high power factor for grid access points, low amount of harmonics, higher ability to resist power disruptions, and wide range of applications.
- The MVD operates in four quadrants and implements fast load-side braking and grid-side energy feedback.
- Advanced vector control technology with and without sensor, excellent motor control performance
- Advanced automatic recognition of motor parameters, DC braking, power loss crossing, synchronous/asynchronous switching function for industrial frequency variation
- Fulfills coordinated control of multiple MVDs and satisfies diverse application requirements.
- Features multilevel technology for cascaded cells. There is no need for an output filter. The output voltage waveform is similar to that of sinusoid waves and fulfills remote motor driving under adverse conditions.

Enhanced Process & Quality Control

- Capability to produce large output torque at low speeds and during motor startup, increasing dynamic response speed and acquiring more stable motor operations and accurate control of rotation speed.
- Embedded PID controller for accurate control on flow, pressure or other varying parameters.
- Continuous operation under temporary input power loss and capability to restart automatically after grid fault.
- Configurable stall/reverse/over-speed/under-speed alarm and protection to ensure quality control
- Selectable forward/reverse rotation switching
- Friendly customer interface for easy system integration.

Control and Monitoring Functions

- Power cell bus voltage
- Power cell failure message
- Transformer Fault
- Command for rotation speed (rpm)
- Operating rotation speed (rpm)
- Input/output power, current, voltage
- Accumulated running time
- MVD status
- System bypass switches and user breaker status
- Programmable analog I/Os

- Failure alarm
- Event recording

Lower Cost of Ownership

- MVD operates in four quadrants with energies passing through the inverter to provide feedback to the grid, enhancing operation efficiency for the system and achieving the effect of energies saving.
- Optimized motor operations to ensure a high amount of energies are saved and to shorten the period required before return on investment.
- Integrated transformer that adopts method of installation with three-cable-in-and-three-cable-out to minimize amount of work needed.
- Reduces mechanical stress, eliminates pipe-hammer effect, and reduces maintenance costs.
- Multilevel voltage output and starts control of current to reduce impacts to motor.
- Synchronous switching, with one inverter to accomplish soft start of multiple motors.

Protection Functions

- Control power loss alarm/protection
- Power cell failure alarm/protection
- Input/output over-current protection
- Overload protection
- Transformer high-temperature alarm & over-temperature protection
- MVD overheat protection
- Under-/over-voltage protection
- Cooling fan abnormal alarm
- Cabinet door open protection
- Cabinet pressure alarm
- Output short-circuit protection
- Input/output phase loss protection
- Communication failure protection
- Output grounding protection
- Motor stall alarm/protection
- Motor reverse rotation alarm/protection
- Over-speed and under-speed alarm/protection

System Structure

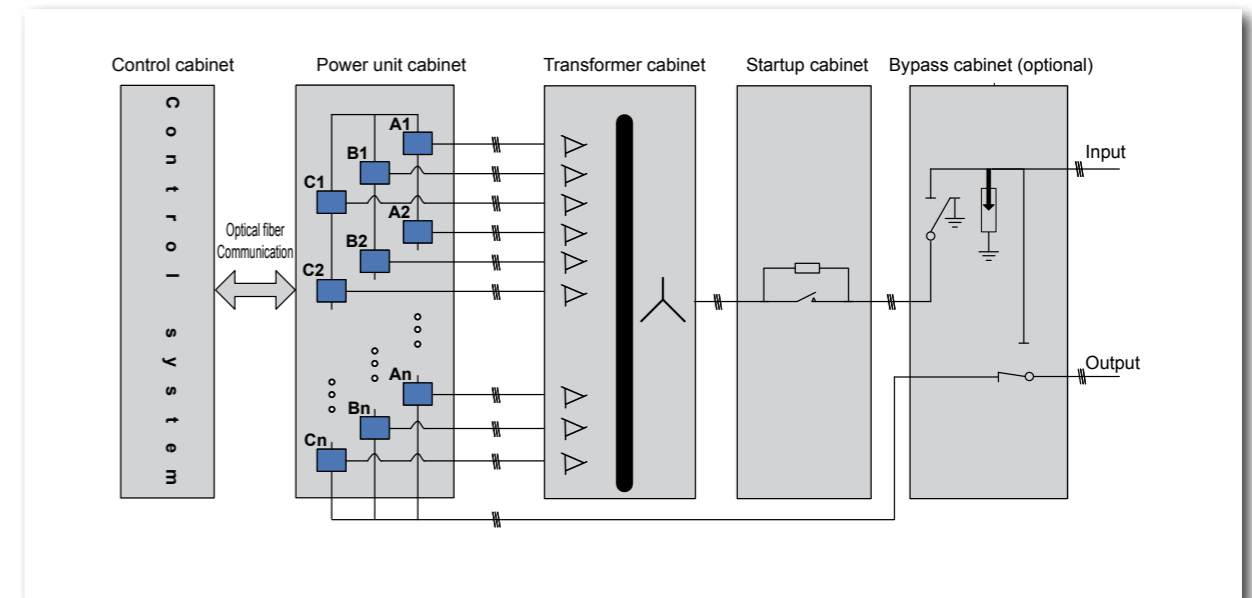
Modular System

Each output phase for MVD3000 consists of multiple power modules connected in series to achieve the required output voltage level.

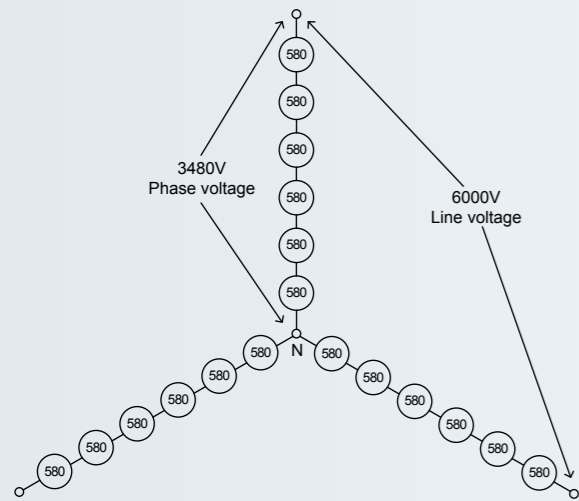
| System Voltage | Cells/phase |
|----------------|-------------|
| 3.3kV | 3 |
| 4.16kV | 4 |
| 6kV | 6 |
| 6.6kV | 6 |
| 10kV | 9 |
| 11kV | 10 |



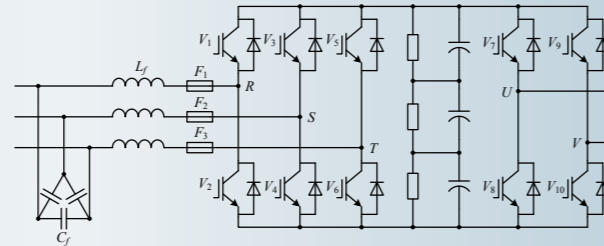
System Diagram



Cascaded Output Voltage Map



Power Unit Schematic Diagram



MVD3000 Specifications & Parameters

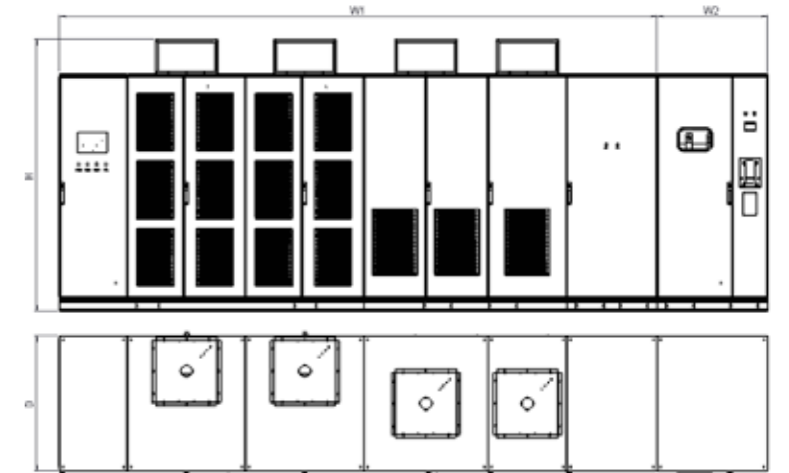
| MVD3000 | | |
|----------------------------|---|---|
| System Technology | Power cell cascade technology based on IGBT | |
| Efficiency | >97.5% (Rated, excluding transformer) | |
| Input | Voltage range | -10%~+10% (normal operation), -10%~-30% (continuous operation at de-rated speed) |
| | Frequency | 50Hz/60Hz (-2%~+2%) |
| | Control power supply | AC380 V (three-phase four-wire system) or AC220V, 3kVA single-phase capacity |
| | Input current harmonic | <5%, Meets IEEE519 standard |
| | Power factor | >0.97 |
| Output | Voltage | 3.3kV~11kV |
| | Current | 38A~385A |
| | Max. output frequency | 75Hz |
| | Overload capacity | 120% per min or 150% per min, other options available |
| | Start-up torque | 150% rated torque (standard), 175% and 200% available |
| | Speed regulating range | 0%~100% (with speed sensor), 5%~100% (without speed sensor) |
| | Speed control resolution (steady state) | ±0.01% (with speed sensor, depending on sensor accuracy), ±0.5% (without speed sensor) |
| | Speed response bandwidth | 60 rad/s (with speed sensor), 20 rad/s (without speed sensor) |
| Current response bandwidth | 600rad/s | |
| Control Parameters | Control methods | Active front-end SVM control and vector control for with-speed/speed-less sensor |
| | PID function | Imbedded PID regulator with parameters to be set |
| | Modulation method | SVPWM |
| | Acceleration & deceleration time | 0~3000s (programmable) |
| | Alarms | Cell over-voltage alarm, cell control power under-voltage alarm, FRAM read-and-write alarm, cell parameter download error alarm, analog reference offline, cooling fan over-temperature, cooling fan power supply failure, cabinet pressure under-/over-voltage, control power supply failure, transformer over-temperature, AC input under-voltage, UPS failure, PLC communication failure, flying start failure |
| | Protections | Input/output over-current, system over-load, output short-circuit, system over-voltage, input/output phase loss, high-voltage input power down / power loss, cell under-/over-voltage, cell over-current, cell phase loss, output grounding, transformer over-temperature, power cell communication failure, system optical fiber communication failure, high-voltage cabinet door open, control power supply failure, power cell power supply failure, power cell over-temperature, power cell under-/over-voltage, power cell drive failure, external failure, over-speed protection, under-speed protection, reverse rotation protection, motor stall protection |
| | Functions | Speed skipping, system bypass, flying start, power loss ride through, automatic restart, adaptive acceleration and deceleration, jogging, flux-weakening, S-curve acceleration/deceleration, forward/reverse rotation, PID regulator, input under-voltage de-rating, temperature de-rating, point floating, bypass de-rating, waveform storing, auto dehumidifying (optional), variable/industrial frequency auto-switch (optional), master-slave control (optional) |
| | Analog input | 0~10V/4~20mA, two channels (expandable) |
| | Analog output | 0~10V/4~20mA, four channels (expandable) |
| | Switch input / output | 10-channel input, 8-channel output (expandable) |
| | Human machine interface | Chinese/English touch-screen LCD display |
| | Display parameters | Reference speed, output speed, input/output current, operating status indication |
| | Communication interface | Isolated RS485, industrial Ethernet (optional), Profibus-DP (optional), GPRS (optional) |
| | Communication protocol | MODBUS, PROFIBUS (optional) |
| Environment | Operating temperature | 0°C~+40°C (normal operation); +40°C~+50°C (de-rated operation) |
| | Storage/transportation temperature | -25°C~+70°C |
| | Relative humidity | 5%~85%, no condensation |
| | Altitude | <1000m (>1000m for de-rated use) |
| Structure | Dimension & weight | Refer to the spec list |
| | Color | RAL7035 (or customize color according to user) |
| Cooling method | Forced air cooling | |
| Protection level | IP30 (standard), other configurations can be customized | |

Standards

| Standard No. | Standard Name |
|-------------------|--|
| GB/T 156-2007 | Standard Voltages |
| GB/T 1980-2005 | Standard Frequencies |
| GB/T 2423.10-2008 | Environmental testing for electric and electronic products - Part 2: Test methods - Test Fc: Vibration (sinusoidal) |
| GB 2681-81 | Colors of insulated conductors used in electrical assembly devices |
| GB 2682-1981 | Colors of indicator lights and push-buttons used in electrical assembly devices |
| GB/T 3797-2005 | Electrical control assemblies |
| GB/T 3859.1-93 | Semiconductor converters - Specification of basic requirements |
| GB/T 3859.2-93 | Semiconductor converters - Application guide |
| GB/T 3859.3-93 | Semiconductor converters - Transformers and reactors |
| GB 4208-2008 | Degrees of protection provided by enclosures (IP code) |
| GB/T 4588.1-1996 | Sectional specification: Single and double sided printed boards without plain holes |
| GB/T 4588.2-1996 | Sectional specification: Single and double sided printed boards with plated-through holes |
| GB 7678-87 | Semiconductor self - commutated converters |
| GB/T 10233-2005 | Basic testing method for low-voltage switchgear and control-gear assemblies |
| GB 12668-90 | General technical specifications for semiconductor variable-frequency speed regulating device for A.C. motor |
| GB/T 15139-94 | General technical specifications for electrical equipment structure |
| GB/T 13422-92 | Electrical test methods for semiconductor power converters |
| GB/T 14549-93 | Quality of electric energy - Harmonics of public power grid |
| GB/T 12668.3-2003 | Adjustable speed electrical power drive systems - Part 3: Product EMC standard and its specific test methods |
| GB/T 12668.4-2006 | Adjustable speed electrical power drive systems - Part 4: General requirements - Rating specifications for A.C. adjustable speed electrical power drive systems of above 1000 V A.C. and not exceeding 35 kV |
| IEEE 519-1992 | IEEE recommended practices and requirements for harmonic control in electrical power systems |
| IEC 60038 | IEC standard voltages |
| IEC 60076-1 | Power transformers - Part 1: General |
| IEC 60076-11 | Power transformers - Part 11: Dry-type transformers |
| IEC 60076-12 | Power transformers - Part 12: Loading guide for dry-type power transformers |
| IEC 60076-2 | Power transformers - Part 2: Temperature rise |
| IEC 60076-3 | Power transformers - Part 3: Insulation levels, dielectric tests and external clearances in air |
| IEC 60721-3-1 | Classification of environmental conditions - Part 3 Classification of groups of environmental parameters and their severities - Section 1: Storage |
| IEC 60721-3-2 | Classification of environmental conditions - Part 3: Classification of groups of environmental parameters and their severities - Section 2: Transportation |
| IEC 60721-3-3 | Classification of environmental conditions - Part 3-3: Classification of groups of environmental parameters and their severities - Stationary use at weatherprotected locations |
| IEC 61000-2-4 | Electromagnetic compatibility (EMC) - Part 2-4: Environment - Compatibility levels in industrial plants for low-frequency conducted disturbances |
| IEC 61800-3 | Adjustable speed electrical power drive systems - Part 3: EMC requirements and specific test methods |
| IEC 61800-4 | Adjustable speed electrical power drive systems - Part 4: General requirements - Rating specifications for a.c. power drive systems above 1000V a.c. and not exceeding 35kV |
| IEC 61800-5-1 | Adjustable speed electrical power drive systems - Part 5-1: Safety requirements - Electrical , thermal and energy |

Product Dimensions

6kV MVD3000 outline drawings shown below:



Product Selection

| MVD3000 | | | | | | | | | | |
|--------------------|--------------------------|------|---------------|------|---------------|------|----------------|-------------------------|------------|-----------|
| Rated Voltage (kV) | Refer to suitable motors | | | | | | Inverter model | Cabinet Dimensions (mm) | | |
| | No overload | | 120% overload | | 150% overload | | | Height (H) | Width (W1) | Depth (D) |
| | P(kW) | I(A) | P(kW) | I(A) | P(kW) | I(A) | | | | |
| 6 | 315 | 38 | 263 | 32 | 210 | 25 | MVD30C038A□S□ | 2400 | 5000 | 1200 |
| | 400 | 48 | 333 | 40 | 267 | 32 | MVD30C048A□S□ | 2400 | 5000 | 1200 |
| | 500 | 60 | 417 | 50 | 333 | 40 | MVD30C060A□S□ | 2400 | 5300 | 1200 |
| | 630 | 76 | 525 | 63 | 420 | 51 | MVD30C076A□S□ | 2400 | 5300 | 1200 |
| | 800 | 96 | 667 | 80 | 533 | 64 | MVD30C096A□S□ | 2400 | 5300 | 1200 |
| | 1000 | 120 | 833 | 100 | 667 | 80 | MVD30C120A□S□ | 2700 | 5900 | 1400 |
| | 1250 | 150 | 1042 | 125 | 833 | 100 | MVD30C150A□S□ | 2700 | 5900 | 1400 |
| | 1400 | 168 | 1167 | 140 | 933 | 112 | MVD30C168A□S□ | 2700 | 5900 | 1400 |
| | 1600 | 192 | 1333 | 160 | 1067 | 128 | MVD30C192A□S□ | 2700 | 5900 | 1400 |
| | 1800 | 217 | 1500 | 180 | 1200 | 144 | MVD30C217A□S□ | 2700 | 8850 | 1400 |
| | 2000 | 241 | 1667 | 200 | 1333 | 160 | MVD30C241A□S□ | 2700 | 8850 | 1400 |
| | 2500 | 301 | 2083 | 251 | 1667 | 200 | MVD30C301A□S□ | 2700 | 8850 | 1400 |
| | 3200 | 385 | 2667 | 321 | 2133 | 257 | MVD30C385A□S□ | 2700 | 8850 | 1400 |
| | 10 | 527 | 38 | 439 | 32 | 351 | 25 | MVD30E038A□S□ | 2400 | 5900 |
| 665 | | 48 | 554 | 40 | 443 | 32 | MVD30E048A□S□ | 2400 | 5900 | 1200 |
| 831 | | 60 | 693 | 50 | 554 | 40 | MVD30E060A□S□ | 2400 | 6650 | 1200 |
| 1053 | | 76 | 878 | 63 | 702 | 51 | MVD30E076A□S□ | 2400 | 6650 | 1200 |
| 1330 | | 96 | 1109 | 80 | 887 | 64 | MVD30E096A□S□ | 2400 | 6650 | 1200 |
| 1663 | | 120 | 1386 | 100 | 1109 | 80 | MVD30E120A□S□ | 2700 | 7400 | 1400 |
| 2078 | | 150 | 1732 | 125 | 1386 | 100 | MVD30E150A□S□ | 2700 | 7400 | 1400 |
| 2328 | | 168 | 1940 | 140 | 1552 | 112 | MVD30E168A□S□ | 2700 | 7400 | 1400 |
| 2660 | | 192 | 2217 | 160 | 1774 | 128 | MVD30E192A□S□ | 2700 | 7400 | 1400 |
| 3007 | | 217 | 2506 | 181 | 2005 | 145 | MVD30E217A□S□ | 2700 | 11800 | 1400 |
| 3339 | | 241 | 2783 | 201 | 2226 | 161 | MVD30E241A□S□ | 2700 | 11800 | 1400 |
| 4171 | | 301 | 3476 | 251 | 2781 | 201 | MVD30E301A□S□ | 2700 | 11800 | 1400 |
| 5335 | | 385 | 4446 | 321 | 3556 | 257 | MVD30E385A□S□ | 2700 | 11800 | 1400 |

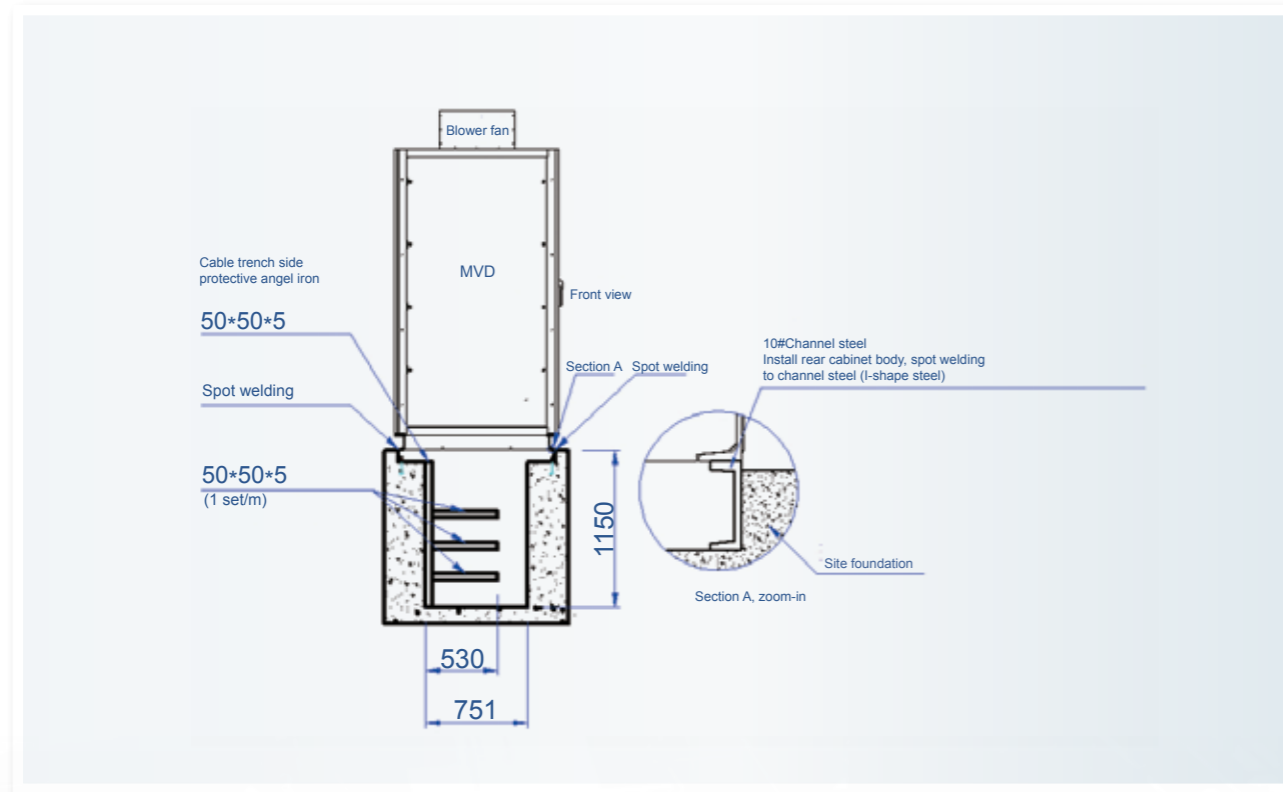
Note: 1. Bypass cabinet is customer-selectable with the W2 size of 980 mm.

2. The table above is for the standard dimension of the MVD3000 high-voltage inverter. Final dimension for the product is designed and determined by our technical staffs based on customer needs.

Installation Diagram

Installation foundation

For wiring safety and convenience, it is recommended to install the MVD cabinet on a cable trench as shown in the drawing below.



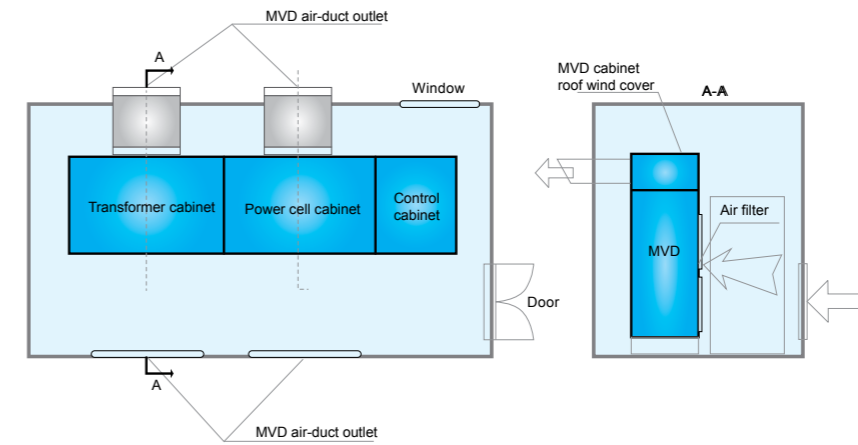
Cross-section of cable and installation trench

Detailed requirements:

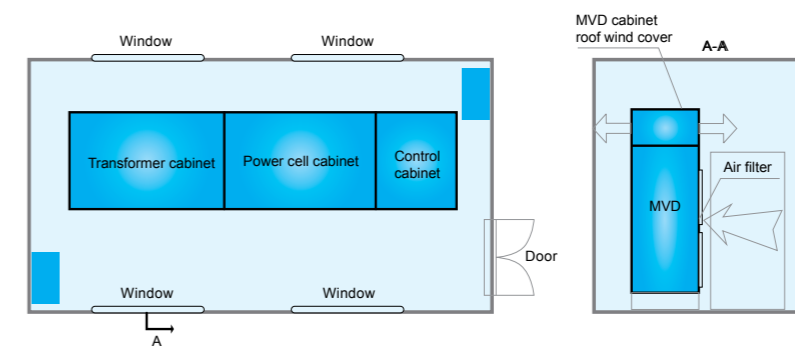
1. It is recommended to set the minimum length of cable trench as the total inverter length, adding 1m to the left and right for easy cabling and maintenance.
2. The inverter is placed on the trench rail using 10# channel steel (use 16# channel steel if the MVD power $\geq 1600\text{kW}$, and 18# double-T steel if the MVD power $> 4000\text{kW}$).
3. Reserve free space on top and front of the MVD cabinet, so that the distance between cabinet top and ceiling is $\geq 800\text{mm}$, and the distance between cabinet front and walls is $\geq 1500\text{mm}$.
4. For ventilation and maintenance convenience, the distance from the rear of the dry-type transformer cabinet and the back wall shall be $\geq 1000\text{mm}$.

MVD cooling proposal

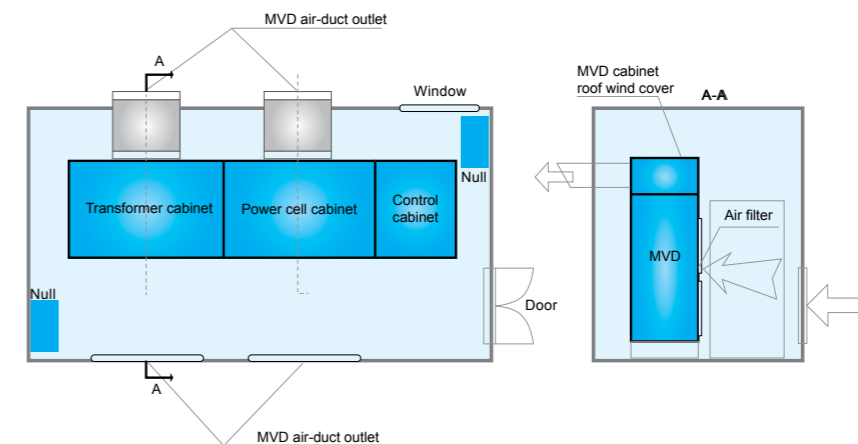
There are three possible cooling solutions, which are open-air-duct cooling, sealed air condition cooling, and air condition with air-duct cooling.



Open-air-duct cooling



Sealed-air-conditioning cooling



Air-duct & air-conditioning cooling

Reliability & Certification

Delta provides quality assurance through rigorous inspection and testing based on international standards. To ensure that the drive operates as predicted upon start-up, Delta Electronics has built a state-of-the-art, multi-megawatt test facility for full load capacity and full load burn-in verification. A detailed test procedure reduces start-up time during installation and commissioning in the field.

Advanced test methods and equipment



• High Voltage Distribution Cabinet System



• Inverter to accompany in test



• Central control room



• Burn-in Chamber



• Temperature control test chamber



• Motor-Generator Groups

International certificates



ISO 9001:2008



ISO 14001:2004



OHSAS 18001:2007



QC 080000:2007

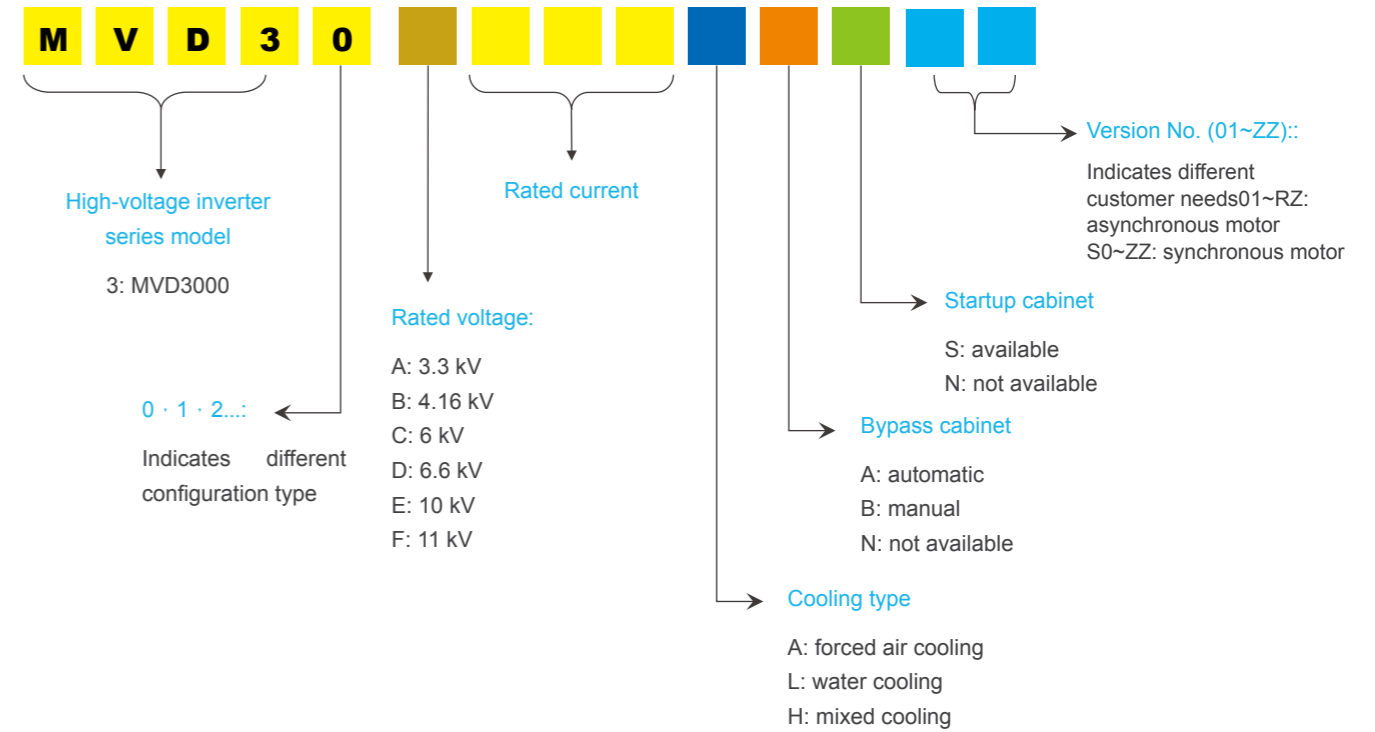


TL 9000 R5.0



CE (EMC)

System Model Names



Global Sales & Service

The warranty period is one year counted from receiving the equipment at customer's site. During the warranty period, Delta will provide replacement of defective parts and repairs. Worldwide service capability ensures response in less than 8 hours, arrival at site in less than 24 hours and troubleshooting in less than 48 hours.





Transmisiones Ltda. Carrera 68 B # 21 A -
24, bodega UE 28- 1 Parque Industrial
Montevideo PBX: (57+1) 4126898
Bogotá - Colombia
info@ transmisiones.de
www, transmisiones.de

For more information about products and sales, please consult: mvd@delta.com.tw

www.deltaww.com/mvd

20130226